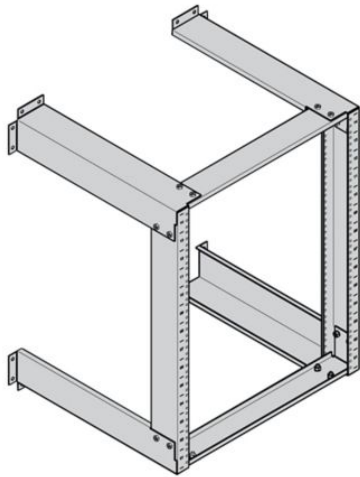


Eaton SB704197424AL

Catalog Number: SB704197424AL

Eaton B-Line series open frame racks, Aluminum uprights and steel extension brackets, Aluminum - brushed finish, Wall-mounted network equipment rack. Heavy duty, 19" Panel mount

General specifications



Product Name

Eaton B-Line series open frame racks

Catalog Number

SB704197424AL

UPC

799038233664

Product Length/Depth

24 in

Product Height

74.5 in

Product Width

74.25 in

Product Weight

22.9 lb

Certifications

Not Applicable



Powering Business Worldwide

Product specifications

Model

Wall-mounted network equipment rack. Heavy duty, 19" Panel mount

Material

Aluminum & steel

Finish

Brushed aluminum

Resources

Brochures

[RCM and RCM+ brochure](#)

Specifications and datasheets

[Eaton Specification Sheet - SB704197424AL](#)



Eaton Corporation plc
Eaton House
30 Pembroke Road
Dublin 4, Ireland
Eaton.com

© 2023 Eaton. All Rights Reserved.

Eaton is a registered trademark.

All other trademarks are property of their respective owners.



[Eaton.com/socialmedia](https://www.eaton.com/socialmedia)